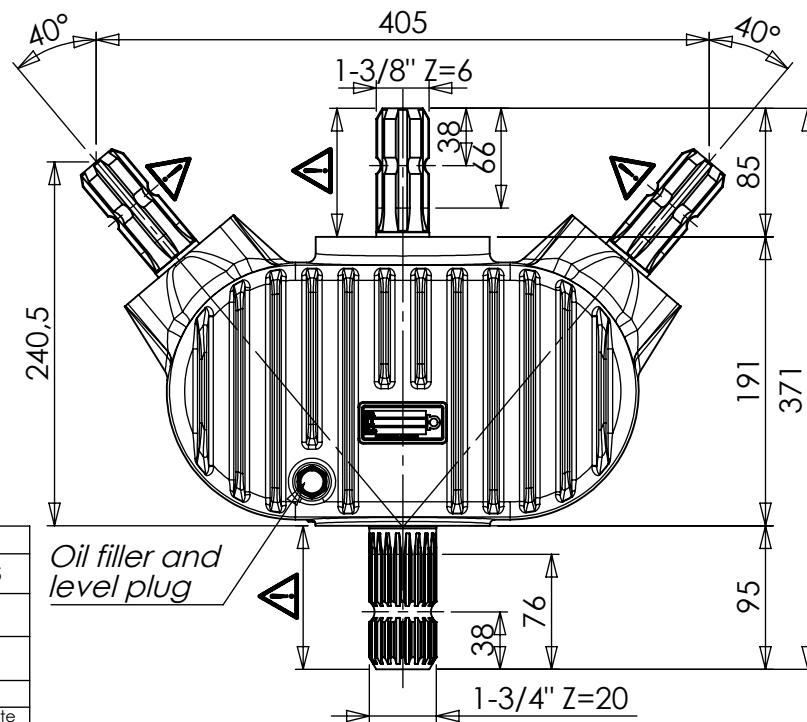
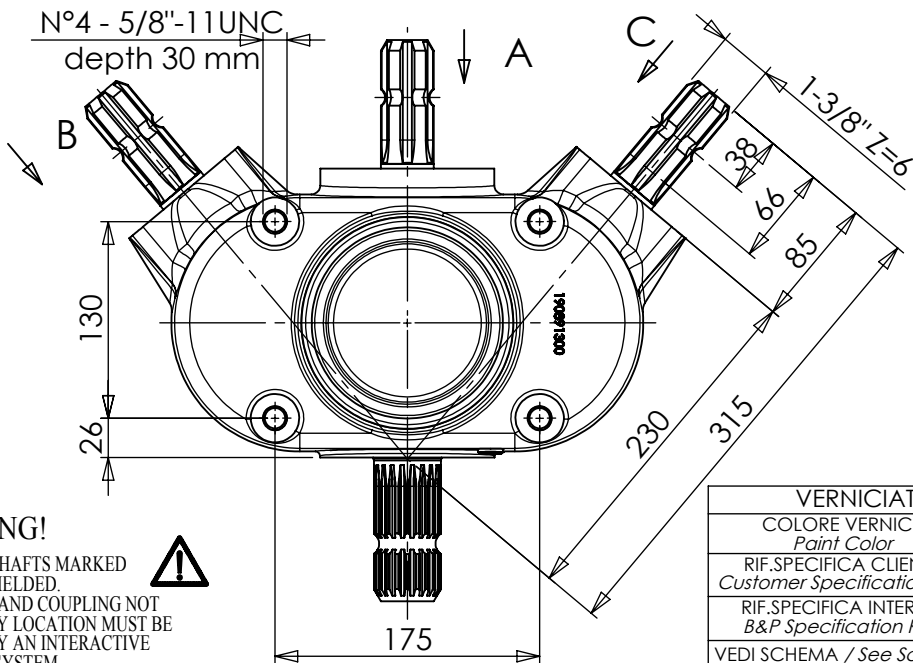


SCHEMA FORI DI FISSAGGIO
(Lato inferiore scatola)



WARNING!

ROTATING SHAFTS MARKED ARE NOT SHIELDED. ANY SHAFT AND COUPLING NOT GUARDED BY LOCATION MUST BE SHIELDED BY AN INTERACTIVE GUARDING SYSTEM. BONDOLI & PAVESI DECLINES RESPONSIBILITY IF PROPER GUARDS ARE NOT PROVIDED AND MAINTAINED.



VERNICIATURA / Painting	
COLORE VERNICE <i>Paint Color</i>	NERO RAL 9005
RIF.SPECIFICA CLIENTE <i>Customer Specification Ref.</i>	/
RIF.SPECIFICA INTERNA <i>B&P Specification Ref.</i>	STBP06-V STBP02-V
VEDI SCHEMA / <i>See Scheme</i>	NY81460004
Solo le specifiche B&P sono completamente soddisfatte <i>Only B&P specifications are completely satisfied</i>	

Rev.	Descrizione / Description	Data / Date	Disegnato / Drawn by

MONTAGGIO / GEAR ARRANGEMENTS 	RAPPORTO / RATIO 1.31:1	TIPO / TYPE 8146	CLIENTE / CUSTOMER 3600502 Dani-Tech A/S		
	GIRI IN ENTRATA / INPUT SPEED 140 CV - 103 kW	TIPO DI MACCHINA / TYPE OF IMPLEMENT	PESO / WEIGHT (Kp) 32.2		DISEGNATO / DESIGNED BY M.Pini
	POTENZA IN ENTRATA / INPUT POWER 1000	RIF.CLIENTE / CUSTOMER REF.	STUDIO / CONCEPT DRAWING		DATA / DATE 05-10-2016
				CODICE / CODE S8146076004	
				REV. 0	